

LBPB SPLITTER

Lindsay Broadband AGX Style planar circuit splitters offer Rack Mount optical management.

DESCRIPTION

Lindsay Broadband's Tough planar lightwave circuit (PLC) splitters are an optical power management device that is fabricated using silica optical waveguide technology. It features high reliability, wide operating wavelength range and good channel-to-channel uniformity. Widely used in PON networks. Lindsay Broadband provides a whole series of 1XN and 2XN splitter products that are tailored for specific applications.



LBPB AGX MODULE OPTICAL SPLITTER

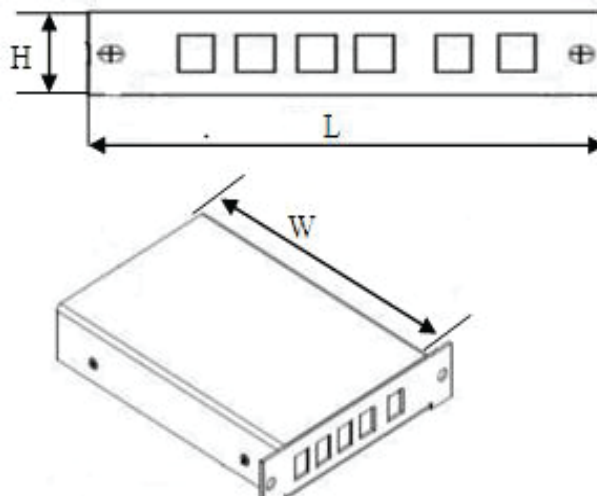


FEATURES

- Low Insertion Loss
- Low PDL Compact Design
- Good Channel-to-Channel uniformity Wider Operating Wavelength From 1260nm to 1650nm
- Wide Operating Temperature From -40°C to 85°C (-40°F to 185°F)
- High Reliability and Stability
- Flexible Packaging Options
- GR-1209-CORE and GR-1221-CORE and RoHS compliant

SPECIFICATIONS

AGX Metal Box 2×N PLC Splitter							
Operating Wavelength (nm)		1260 -1650					
Fiber Type		G657A1 or customer specified					
Port Configuration		2×2	2×4	2×8	2×16	2×32	2×64
Insertion Loss (dB) (P/S Grade)	Max	4.5	7.9	11.3	14.8	17.8	21.3
Loss Uniformity (dB)	Max	0.9	1.1	1.2	1.5	1.8	2.2
Polarization Dependent Loss(dB)	Max	0.3	0.3	0.3	0.3	0.35	0.4
Return Loss (dB)	Min	55	55	55	55	55	55
Directivity (dB)	Min	55	55	55	55	55	55
Wavelength Dependent Loss(dB)	Max	0.5	0.5	0.5	0.8	0.8	1.0
Temperature Stability(-40~85 °C)(dB)	Max	0.5	0.5	0.5	0.5	0.5	0.5
Dimension (mm) (L×W×H)		102*130*25	102*130*25	102*130*25	102*130*50	102*130*100	102*130*100



Notes:

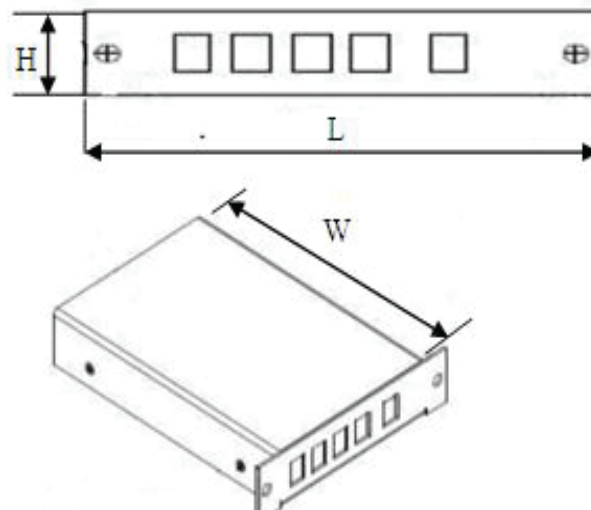
1. Specified without adapter.
2. Add an additional 0.2dB loss per adapter max.
3. Operating Temperature (°C) : -40~85.
4. Storage Temperature (°C) -40~85.
5. IL、 PDL、 WDL can also be customer specified.

Note: Specifications subject to change without notice

Copyright © 2017 Lindsay Broadband Inc.

SPECIFICATIONS

AGX Metal Box 1×N PLC Splitter							
Operating Wavelength (nm)		1260 -1650					
Fiber Type		G657A1 or customer specified					
Port Configuration		1×2	1×4	1×8	1 x 16	1 x 32	1×64
Insertion Loss (dB) (P/S Grade)	Max	4.1/4.3	7.4/7.6	10.5/10.8	13.8/14.0	16.8/17.2	20.8/21.3
Loss Uniformity (dB)	Max	0.8	0.8	0.8	1.2	1.5	2.0
Polarization Dependent Loss(dB)	Max	0.2	0.2	0.2	0.25	0.3	0.4
Return Loss (dB)	Min	55	55	55	55	55	55
Directivity (dB)	Min	55	55	55	55	55	55
Wavelength Dependent Loss(dB)	Max	0.5	0.5	0.5	0.8	0.8	1.0
Temperature Stability(-40~85 °C)(dB)	Max	0.5	0.5	0.5	0.5	0.5	0.5
Dimension (mm) (L×W×H)		102*130*25	102*130*25	102*130*25	102*130*50	102*130*50	102*130*100



Notes:

1. Specified without adapter.
2. Add an additional 0.2dB loss per adapter max.
3. Operating Temperature (°C) : -40~85.
4. Storage Temperature (°C) -40~85.
5. IL、PDL、WDL can also be customer specified.

Note: Specifications subject to change without notice

Copyright © 2017 Lindsay Broadband Inc.

ORDERING INFORMATION

LBPB	-	XXX	-	XX	-	X	X
		Port Configuration		Modules type		Input connector	Output connector
LB		102=1X2		LX=AGX Box,metal		0=None	0=None
P=PLC		104=1X4				1=FC/UPC	1=FC/UPC
B=LGX Box		108=1X8				2=FC/APC	2=FC/APC
					3=SC/UPC	3=SC/UPC
		164=1X64				4=SC/APC	4=SC/APC
		202=2X2		XX =Cu stomized		5=LC/UPC	5=LC/UPC
					6=LC/APC	6=LC/APC
		264=2X64				X=Cu stomized	X=Cu stomized

FOR MORE INFORMATION ON OUR WIRELESS, OPTICAL AND RF PRODUCTS
 CALL 1-800-465-7046 OR
 U.S. Sales Toll free: 877-672-4340
www.lindsaybroadbandinc.com