

LINDSAY BROADBAND OUTDOOR SMALL CELL GATEWAY

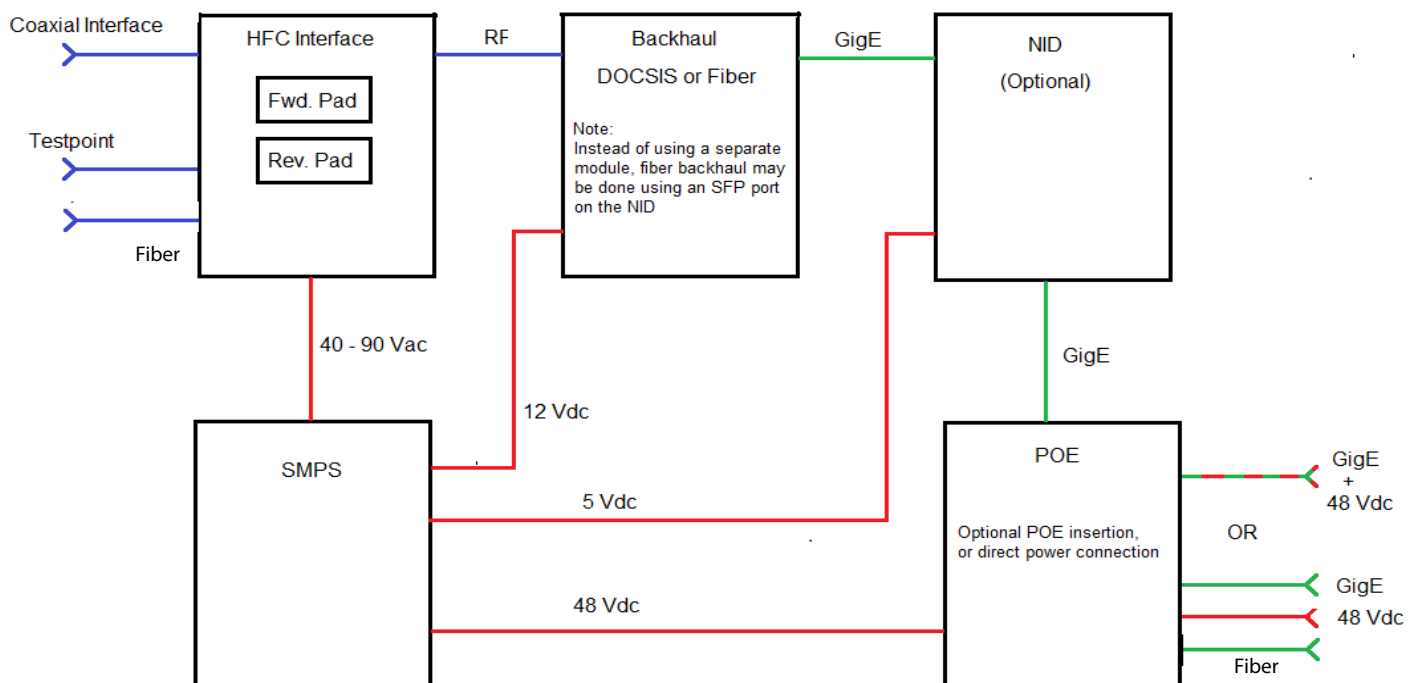
LBODG-6183-ACC-METRO

FEATURES

- Die cast aluminum housing (clam shell)
- Mounting configurations: wall, vault, or strand
- Dual gaskets provide 15-PSI weather proof seal
- Operating range, from -40°C to +60°C (-40°F to +140°F)
- DOCSIS3.0 compliant/ 3.1 optional
- Cable plant-powered (40-90 voltage AC)
- 6Kv Surge protection
- HFC access with directional coupler or power-passing tap
- Coax power interface provides for easy setup
- Monitor and configure via SNMP agent, Telnet or Web browser
- Small cell power up to 250Watts



BLOCK DIAGRAM



SPECIFICATIONS

Cable Modem		Cable Modem SB6183
Band Plan		DOCSIS® (Annex B)
Network Configuration and Management		TFTP, SNMP (V2c, V3), Telnet, HTTP
Input Impedance		75 Ohm
Privacy		BPI+
Downstream Modulation		64 or 256 QAM
Max Theoretical Downstream Data Rate		686.144 Mbps (16 channels) / 42.884 (single channel) @ 256 QAM at 5.36 Msym/s
RF Input Sensitivity (1)	Modem F Port	+15 to -15 dBmV (-10 dBmV for 256 QAM)
	Housing 5/8" Port	+20 to -10 dBmV (-5 dBmV for 256 QAM)
Upstream Modulation		QPSK and 8, 16, 32, 64, 128 QAM
Maximum Upstream Data Rate		131.072 Mbps (4 channels) /32.768 Mbps (single channel): @ 128 QAM at 6.4 MHz
Max Transmit Power (ATDMA QAM 64) (1)	Modem F Port	54 dBmV (45-51 dBmV recommended)
	Housing 5/8" Port	49 dBmV (40-46 dBmV recommended)
HFC Interface		
Return Loss (2)		16 dB (min, with 75 ohm termination)
		10 dB (min, when terminated by modem)
Insertion Loss (1)		5 dB (+/- 1 dB)
Pad Type		0 to 20 dB (JXP, separate fwd and rev)
Temperature Range		- 40 to +60 Deg. C
Surge Withstand (HFC)		ANSI -IEEE C62.41 Category B3 (6KV)
Ethernet		
Throughput		10/100/1000 Mbps
Reach		100 meters
Interface		RJ45 (external)
Physical		
Dimensions		20 x 10 x 8.5 (in.)
Weight		approx. 24 lbs

*All specifications are subject to change without prior notice
Copyright © 2017 Lindsay Broadband Inc.

NETWORK INTERFACE

- High Performance Demarcation Device

- * End-to-End OAM Functionality
- * Throughput SLA-Meter Performance Monitoring
- * Intelligent Layer 1, 2, 3, and 4 Loopbacks
- * In-Service Throughput testin
- * RFC-2544 Automated Test Suite Reports
- * Pre-Flow Statistics
- * Zero-delay Traffic Shaping
- * Wire-Speed Traffic Filtering
- * Plug & Go Instant Provisioning

- Traffic Conditioning & Service Creation

- * Flexible traffic filtering and QoS mapping
- * Pre-Flow bandwidth profiles
- * EVC Creation (VLAN Tag add/removal/swap)

- OAM & Performance Service Creation

- * Ethernet OAM: 802.1ag (CFM), Y.1731
- * L2/L3 Performance Assurance Agent (PAA)

- Testing & Troubleshooting

- * Y.1564 Service Activation Testing
- * RFC2544 Test Suite
- * In-Service throughput testing
- * Embedded TWAMP Reflector
- * Test Set Interoperability
- * Smart loopbacks

FOR MORE INFORMATION ON OUR WIRELESS, OPTICAL AND RF PRODUCTS
CALL 1-800-465-7046 OR
U.S. Sales Toll free: 877-672-4340
www.lindsaybroadbandinc.com