

LINDSAY BROADBAND INDOOR SMALL CELL GATEWAY

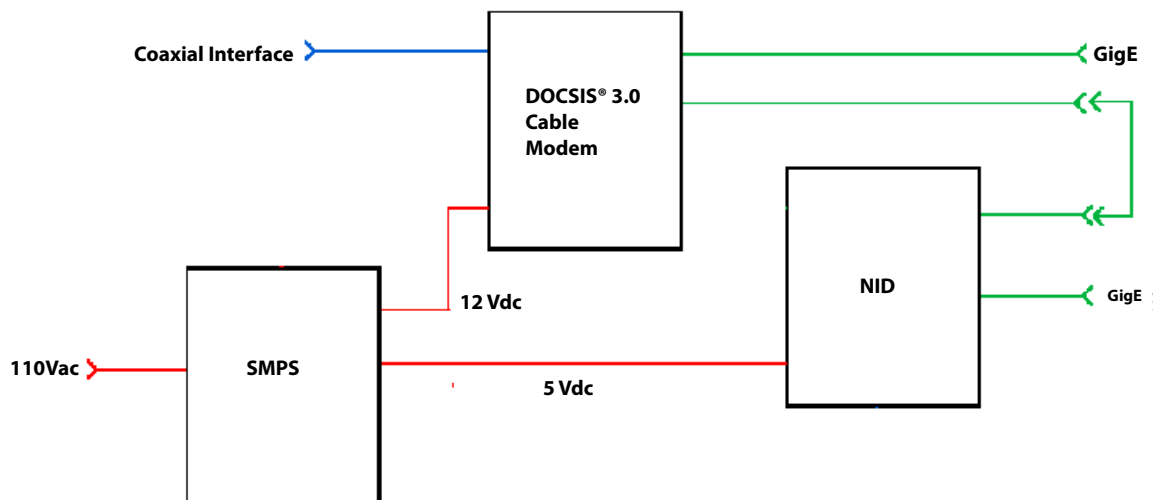
LBIDG-CA-3010

FEATURES

- Indoor 19" 1RU rack-mount DOCSIS®/Optical Gateway
- Optical or Ethernet communication port
- Customer specified Cable Modem
- Network Interface Device Enabled
- Traffic Conditioning and Service Creation
- OAM & Performance Monitoring
- Testing and Troubleshooting
- 12 Month Warranty



BLOCK DIAGRAM



SPECIFICATIONS

RF DOWNSTREAM	
Specification	Value
Operating Frequency	88 to 1002 MHz
Tuner Frequency Range	88 to 1002 MHz
Tuner	(2) Frequency agile block tuners, 32 MHz bandpass each
Demodulation	8 demodulators, 4 per tuner, each demodulator, 64 QAM or 256 QAM
Maximum Data Rate	8 downstream channels, each 6 MHz channel: 42.88 Mbps for 256 QAM and 30.34 Mbps for 64 Qam
Bandwidth	6 or 8 MHz
Operating Level	-15 to +15dBmV
Input Impedence	75 ohms
RF Upstream	
Specification	Value
Operating Frequency Range	5 to 42 MHz; 5 to 65 Mhz or 5 to 85 MHz
Transmit Frequency Range	5 to 42 MHz; 5 to 65 MHz or 5 to 85 MHz
Upstream Transmission	4 upstream channels
Modulation	QPSK; 8 QAM; 16 QAM; 32 QAM; 64 QAM/ ATDMA 128 QAM/SCDMA
Mechanical	
Dimensions (W x D x H)	F-type connector included: 19" x 10.5" x 1.75" F-type connector not included: 19" X 10" X 1.75"
Weight	approximately 5.5 lbs.

NETWORK INTERFACE

- High Performance Demarcation Device
 - * End-to-End OAM Functionality
 - * Throughput SLA-Meter Performance Monitoring
 - * Intelligent Layer 1, 2, 3, and 4 Loopbacks
 - * In-Service Throughput testing
 - * RFC-2544 Automated Test Suite Reports
 - * Pre-Flow Statistics
 - * Zero-delay Traffic Shaping
 - * Wire-Speed Traffic Filtering
 - * Plug & Go Instant Provisioning
- Traffic Conditioning & Service Creation
 - * Flexible traffic filtering and QoS mapping
 - * Pre-Flow bandwidth profiles
 - * EVC Creation (VLAN Tag add/removal/swap)
- OAM & Performance Service Creation
 - * Ethernet OAM: 802.1ag (CFM), Y.1731
 - * L2/L3 Performance Assurance Agent (PAA)
- Testing & Troubleshooting
 - * Y.1564 Service Activation Testing
 - * RFC2544 Test Suite
 - * In-Service throughput testing
 - * Embedded TWAMP Reflector
 - * Test Set Interoperability
 - * Smart loopbacks

FOR MORE INFORMATION ON OUR WIRELESS, OPTICAL AND RF PRODUCTS
CALL 1-800-465-7046 OR
U.S. Sales Toll free: 877-672-4340