

LINDSAY BROADBAND INDOOR SMALL CELL GATEWAY

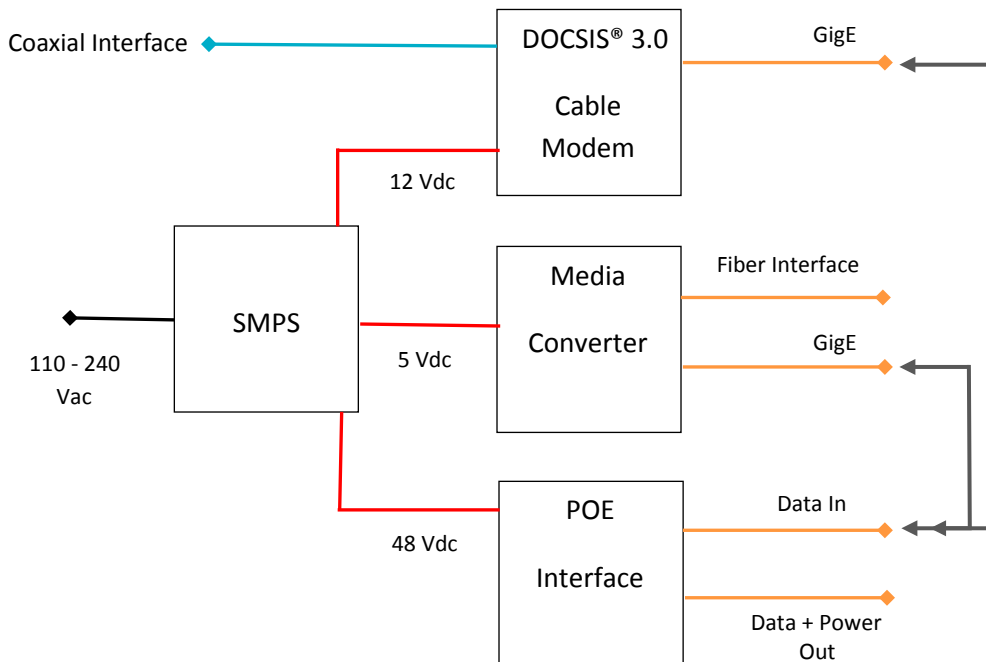
LBIDG-6183-POH

Features

- Indoor 19" 1RU rack-mount DOCSIS®/Optical Gateway
- Optical or Ethernet communication port
- Customer specified Cable Modem
- PoH Power HDBaseT 95Watts (802.3af and 802.at compatible)
- Flexibility for Optical or DOCSIS® Backhaul with or without POE
- 12 Month Warranty
- SFP- All standard wavelengths up to 120 kms



Block Diagram



SPECIFICATIONS

| DOCSIS® 3.0 SB 6183 Specifications | |
|---|---|
| Cable Modem | |
| Band Plan | DOCSIS® (Annex B) |
| Network Configuration and Management | TFTP, SNMP (V2c, V3), Telnet, HTTP |
| Input Impedance | 75 Ohm |
| Privacy | BPI+ |
| Downstream Modulation | 64 or 256 QAM |
| RF Input Modem F Port | +15 to -15 dBmV (-10 dBmV for 256 QAM) |
| MaxTheoretical BW | 686.144 Mbps (16 channels) / 42.884 (single channel) @ 256 QAM at 5.36 Msym/s |
| Upstream Modulation | QPSK and 8, 16, 32, 64, 128 QAM |
| Max Transmit Modem F Port | 54 dBmV (45 – 51 dBmV recommended) |
| MaxTheoretical BW | 131.072 Mbps (4 channels) /32.768 Mbps (single channel): @ 128 QAM at 6.4 MHz |
| Power Over HDBaseT Specifications | |
| Electrical Specifications | |
| Input Voltage | 100 to 240 Vac |
| Input Current | 2 Amp (110 to 240Vac) |
| Available Output Power | 95 Watts |
| Nominal Output Voltage | 53.5 to 57 Vdc |
| Ethernet Interface | |
| Input (Data In):/ Ethernet 10/100/1000BaseT | RJ45 Female Socket |
| Output (Data+Power):/ 10/100/1000BaseT +55V | RJ45 with Vdc on Wires pairs 1- 2, 3 -6,4 - 5 and 7 -8. |
| Media Converter | |
| Standards | 802.3 10Base -T |
| | 802.3u 100Base -TX |
| | 802.3z 100Base -SX/LX |
| | 802.3ab 100Base -T |
| | 802.3x Flow Control and Back Pressure |
| | 802.1p Class of Service |
| | 802.1Q VLAN Tagging |
| | 802.3ah QAM |

*Specifications subject to change without prior notice

FOR MORE INFORMATION ON OUR WIRELESS, OPTICAL AND RF PRODUCTS
CALL 1-800-465-7046 OR
U.S. Sales Toll free: 877-672-4340