

LB-AGX UNIVERSAL RACK MOUNT PASSIVE

Lindsay Broadband LB-AGX Universal Rack Mount Passive Platform solutions fully leverage the reliability and flexibility of the Lindsay Broadband family of optical passive modules.

The LB-AGX platform solution, provides versatility in minimum rack space to meet a variety of network configurations for optical coupling, splitting, multiplexing and de-multiplexing applications.

The LB-AGX modules are similar to the well recognized industry standard LGX package which allows for easy snap-in installation, however the LB-AGX has a smaller footprint providing higher packaging density.

Lindsay Broadband LB-AGX modules will fit any LGX chassis and most other manufacturers' proprietary compact chassis. Lindsay Broadband's compact chassis will accommodate up to 16 single width LB-AGX modules.

The LB-AGX family of modules include: Optical Splitters, Optical Couplers, Optical Add/Drop Modules, CWDM/DWDM Multiplexer and Demultiplexer Modules, along with customized passive modules. All passive modules are Telecordia GR-1290 and GR-1221 compliant.



FEATURES

- Compact Design
- Low Insertion Loss
- Low Polarization Dependent Loss (PDL)
- High Uniformity
- High Reliability and Stability
- Choice of connector adapters
- Customization
- GR-1209-CORE and GR-1221- CORE compliant

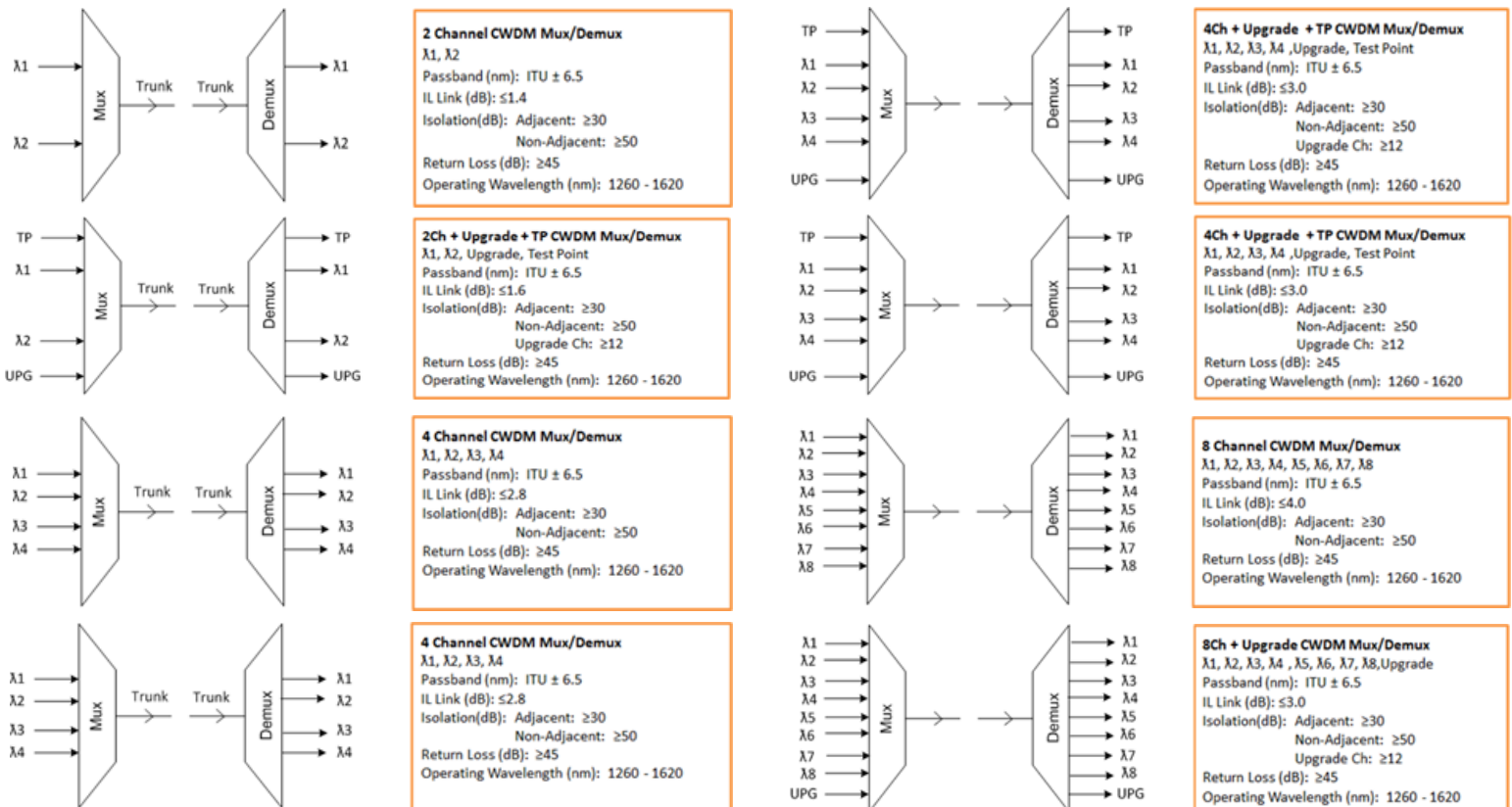
LB-AGX OPTICAL SPLITTER AND COUPLER MODULES

Lindsay Broadband's family of optical splitter and coupler modules have been designed with low insertion loss, low polarization dependent loss (PDL) and high uniformity. The LB-AGX splitter family includes 1x2, 2x2, 1x4, 2x4, 1x8, 2x8 and 1x16, 2x16 using SC/APC. High density LC/APC or UPC are used on the 1x32 or 2x32 splitter modules.

The LB-AGX coupler family includes single and dual window 1x2 and 2x2 with split ratios ranging from 50/50 to 99/1. All modules utilize hinge covered SC/APC type connectors.

LB-AGX CWDM MULTIPLEX/DE-MULTIPLEX MODULES

The Lindsay Broadband LB-AGX Series of CWDM multiplexers and demultiplexers are designed to Mux/demux CWDM ITU-grid optical wavelengths onto one fiber, with individual wavelengths ranging from 1430 to 1610 nm (with 20 nm spacing between channels). Optional Test Point port, 1310nm Filter port and/or Cascade port.

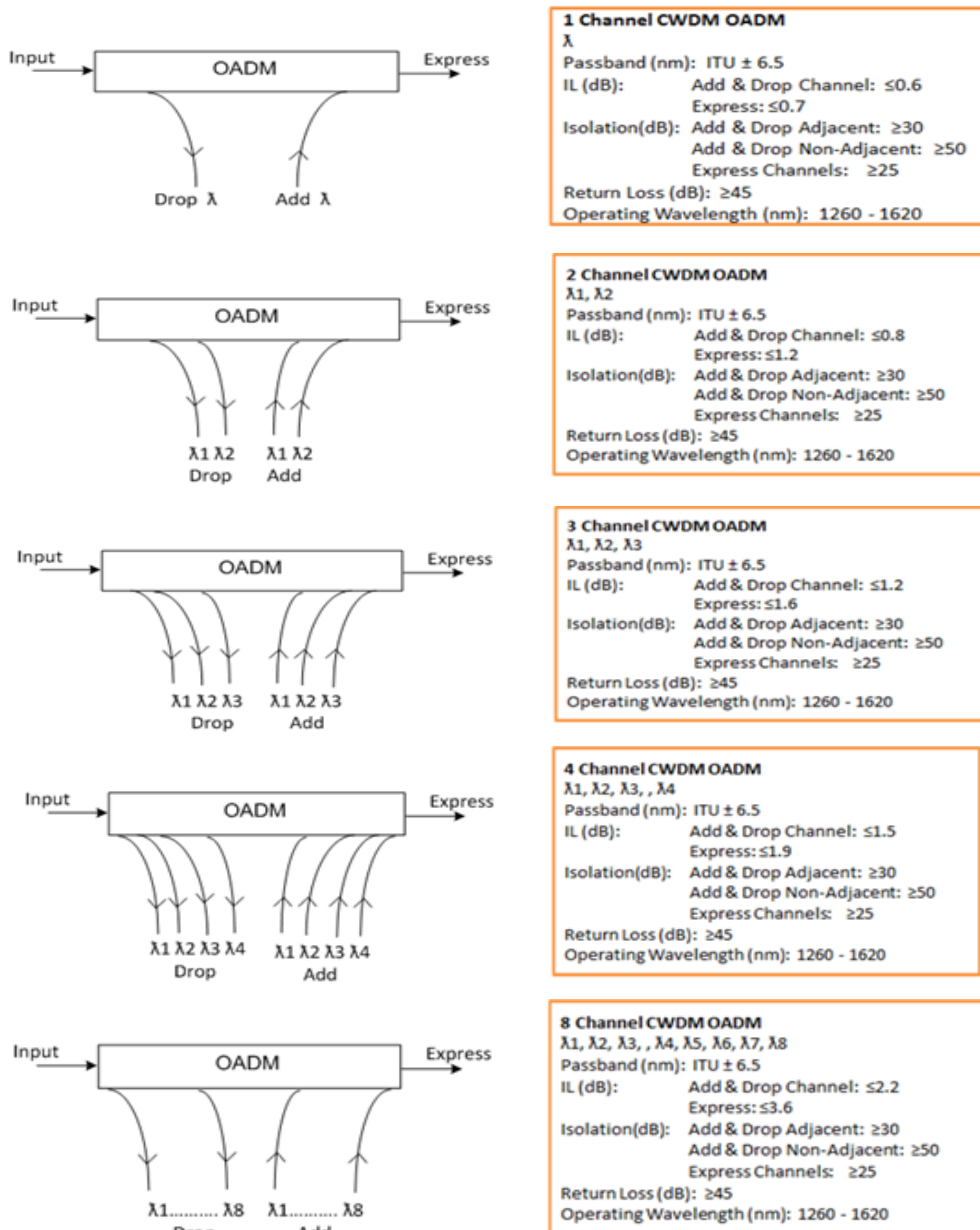


LB-AGX DWDM MULTIPLEX/DE-MULTIPLEX MODULES

The Lindsay Broadband LB-AGX Series of DWDM multiplexers and demultiplexers are designed to Mux/demux DWDM ITU-grid 100 and 200GHz grids up to 16 wavelengths. Optional Upgrade port.

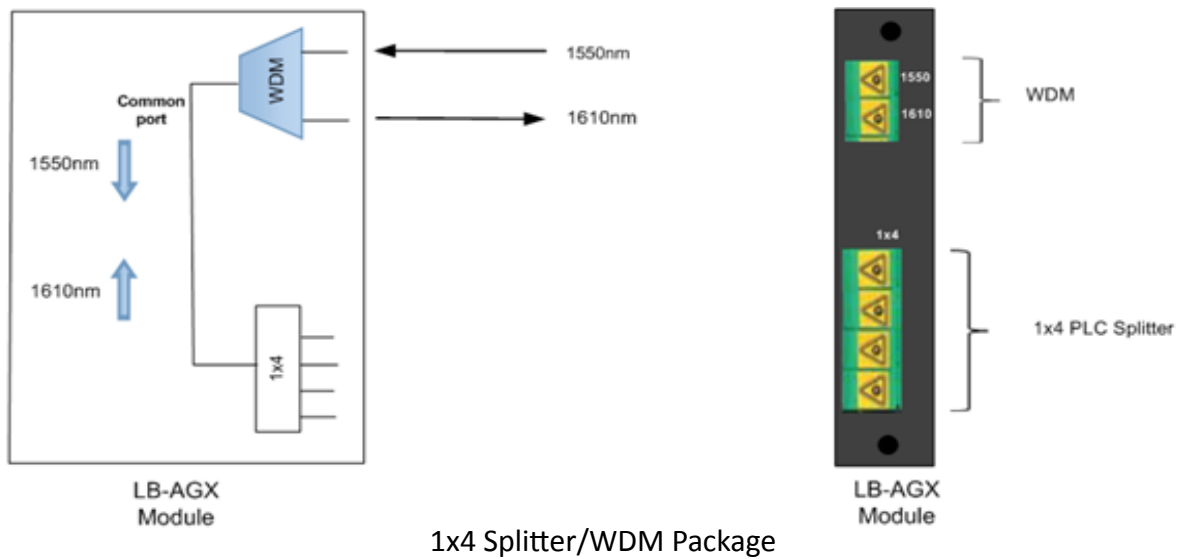
LB-AGX OADM ADD/DROP MODULES

The Lindsay Broadband LB-AGX Series of DWDM multiplexers and demultiplexers are designed to add one or more new wavelength channels to an existing multi-wavelength WDM signal, and/or to drop (remove) one or more channels, passing those signals to another network path.



LB-AGX CUSTOMIZED MODULES

Lindsay Broadband can customize modules to do a combination of applications in a single module. Optimize rack space and simplify wiring.



LB-LGX-CH CHASSIS

Standard 19" 3RU Rack Mount LGX Chassis, holds up to 12 Standard LGX or LB-AGX modules



LB-AGX-CH CHASSIS

Lindsay Broadbands' Compact 19" 3RU Rack Mount Chassis, holds up to 16 LB-AGX modules



LB-AGX-CH-1U CHASSIS

19" 1 RU Rack Mount Chassis, holds 2 or 3 LB-AGX modules

*All specifications are subject to change without prior notice
Copyright © 2017 Lindsay Broadband Inc.

FOR MORE INFORMATION ON OUR WIRELESS, OPTICAL AND RF PRODUCTS

CALL 1-800-465-7046 OR
U.S. Sales Toll free: 877-672-4340

www.lindsaybroadbandinc.com