

MDU DISTRIBUTION AMPLIFIER

Lindsay's compact multiple dwelling unit broadband distribution amplifier is a full featured two-way 1.2GHz indoor station capable of 44dBmV output with superior distortion characteristics and low noise.

DESCRIPTION

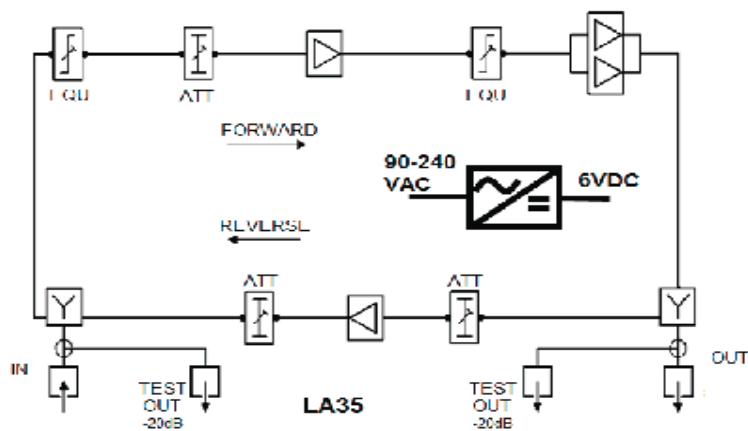
Model LA35R is a TOUGH indoor MDU amplifier specifically designed for broadband distribution systems in apartment buildings, hotels, schools, hospitals and similar facilities requiring RF amplification.

Compact in size and designed to mount directly to a wall with increased heat dissipation properties and low power consumption this amplifier runs cool and reduces operational costs. Flexible two-way diplex filter options and the latest GaAs-Fet technology provide superior distortion performance and low noise to 1.2 GHz. Technically friendly on board unique equalizers enable equalization and slope setup by simple resistive attenuators greatly reducing operational expenses.

LA35R-1.2GHz



BLOCK DIAGRAM



FEATURES

- Compact, aluminum die-cast, wall-mountable housing
- Designed for superior heat dissipation
- Rated ingress protection (IP)54, against dust and water
- Temperature cycled -30°C to +55°C (-22°F to +131°F)
- GaAS E-pHEMT for high output, low distortions
- 34dB gain forward, 18dB gain reverse
- LBJXP attenuators for all control
- Forward and reverse, 20dB test points
- Surge protection of 6kV on all ports
- Designed for -100dB EMI isolation
- Transformer powered 90-240 VAC
- Diplex Filters available in 42/54, 65/85 and 85/102MHz

SPECIFICATIONS LA35R

Typical, for T= 20degC, Zin= Zout= 75 ohms

Parameter	Notes	Forward	Reverse	Units
Bandwidth		54-1220	5-42	MHz
Technology		GaAs E-pHEMT	Si-Bipolar	
Average Full Gain		34	18	dB
Flatness		+/-1	+/-1	"
Return Loss, IN/OUT		-16	-16	"
Test Points, IN/OUT		In & Out: -20dB	In & Out: -20dB	"
Gain Control	0.45" JXP	In	In & Out	"
Slope Control	Mid, JXP Plug-In	In & Mid		
Forward Distortions: 42dBmV (54/1000MHz) flat output level, 79 NTSC channels, digital at -6dB after 550MHz				
CTB		-58		dBc
CSO		-64		"
Xmod		-60		"
Forward Distortions: 32/44dBmV (54/1000MHz) output level, 79 NTSC channels, digital at -6dB after 550MHz				
CTB		-65		dBc
CSO		-65		"
Xmod		-65		"
Reverse Distortions: 48dBmV flat output on each of the CH T8 and T9 according to ANSI/SCTE1 152006				
DTO	(on 7 & 25MHz)		-75	"
DSO	(on 6 & 32MHz)		-60	"
Xmod	(on T8, 9)		-75	"
Noise Figure	With 0dB jumpers	<6	<6	dB
Fwd Group Delay	CH2	<35		Nsec
Rev Group Delay	41-42MHz		<35	Nsec
Hum Modulation			<-80	dBc
RFI Isolation			-90	"
Surge Withstand	IN/OUT	IEEE62.41 CatA3 (6kV,200A)		
Powering		90-240VAC		Vac
Power Consumption		4		Watts
Tempuature		-30 to +55		degC
Enclosure		IP54 Category, Diecast Aluminium		
Dimensions		105 * 125 * 50 (4,15" * 4,92" * 1,97")		Mm (in)
Weight		0.7 (1.6)		Kg (lb)

Notes for Specifications:

1. Model LBJXP equalizers available in 2dB steps from 0 to 26dB
2. Digital output levels are lower
3. Specifications are typical
4. Specifications are subject to change without prior notice

Copyright © 2017 Lindsay Broadband Inc.

FOR MORE INFORMATION ON OUR WIRELESS, OPTICAL AND RF PRODUCTS

CALL 1-800-465-7046 OR
U.S. Sales Toll free: 877-672-4340

www.lindsaybroadbandinc.com